

PLANAR TRANSFORMER

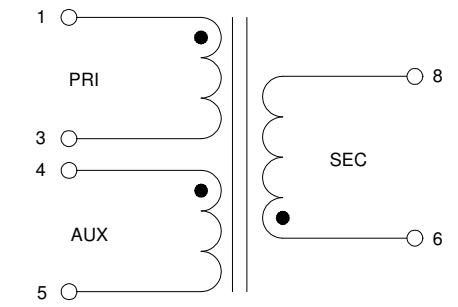
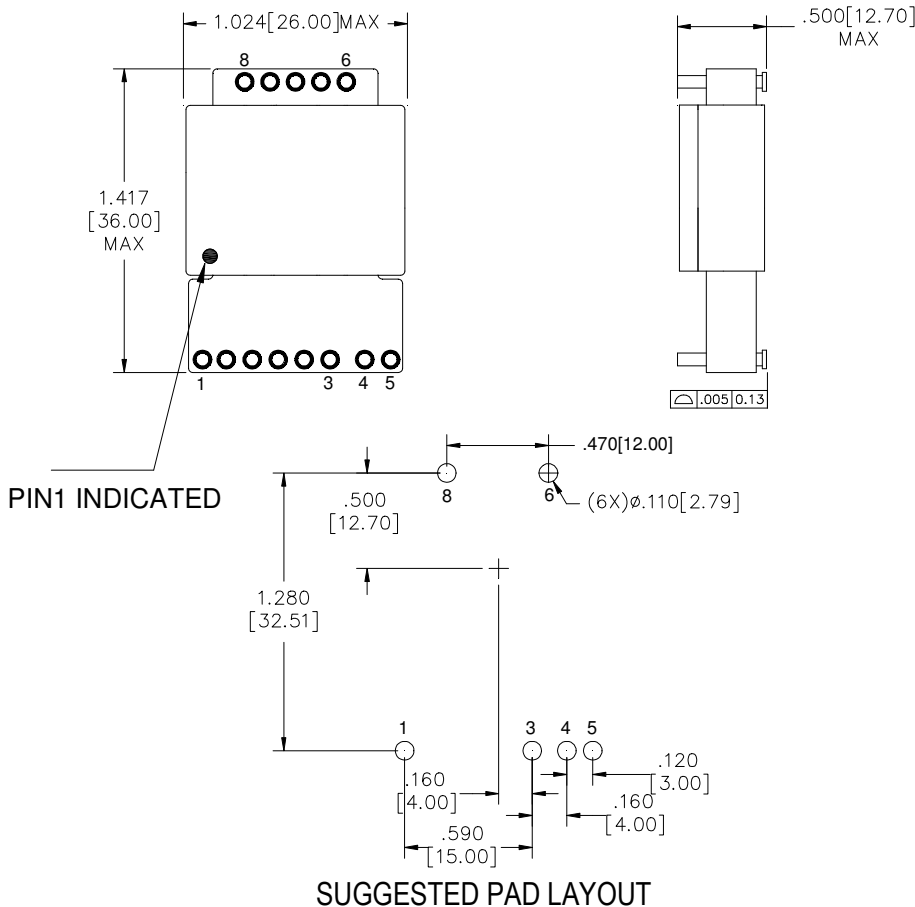


- Ⓡ Operating temperature: -55°C to +130°C
- Ⓡ Storage temperature: -55°C to +155°C
- Ⓡ Frequency range: 100kHz to 300kHz
- Ⓡ Topology: Forward
- Ⓡ Fit EN-50155 application
- Ⓡ Lead finish: Pure tin
- Ⓡ Moisture Sensitivity Level: 1

Electrical Specifications @ 25 °C										
Part Number	Turns Ratio 100kHz 100mVrms (±2%)		Inductance 100kHz 1Vrms (μH MIN)	Leakage Inductance 100kHz 100mVrms (μH MAX)	DC Resistance (mΩ MAX)		Dielectric Withstanding Voltage @3S MIN			
	(4-5):(1-3)	(6-8):(1-3)	(1-3)	(1-3) with all other windings shorted	(1-3)	(6-8)	(4-5)	(1,3,4,5) to (6,8)	(1,3,4,5) to core	(6,8) to core
PL10502NL	1.125	1.25	220	1.2	30	55	230	3000VAC	3000VAC	500VDC

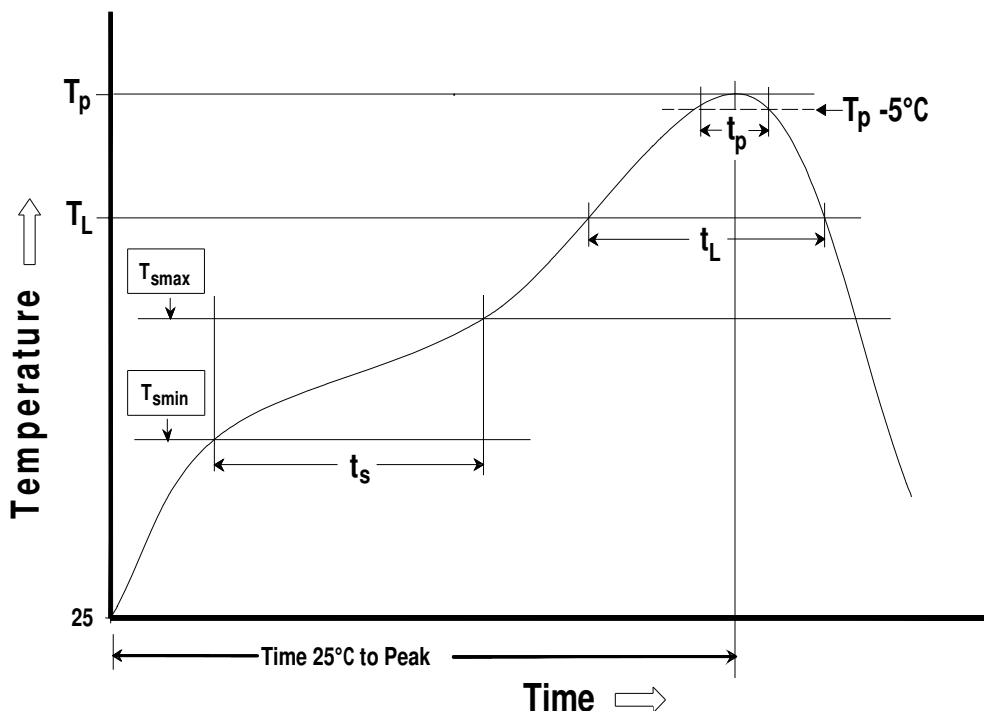
Mechanical

Schematic



Dimensions: inches[mm]
 Unless otherwise specified,
 all tolerances are ± .010[0.25]
 Weight.....35g
 Tray.....30pcs/Tray

Recommended Reflow Profile (Based on J-STD-020D)



T_{SMIN} (°C)	T_{SMAX} (°C)	T_L (°C)	T_P (°C MAX)	t_s (s)	t_L (s)	t_p (s MAX)	Ramp-up rate (T_L to T_P)	Ramp-down rate (T_P to T_L)	Time 25°C to peak temperature (s MAX)
150	200	217	245	60-120	60-150	30	3°C/s MAX	6°C/s MAX	480

Notes:

1. All temperatures measured on the package leads.
2. Maximum times of reflow cycle: 2.

For More Information

PulseR North America Headquarters

Two Pearl Buck Court
Bristol, PA 19007
U.S.A.

Tel: +1. 215. 781. 6400
Fax: +1. 215. 781. 6403

For Global Sales Representatives and Locations Visit:
<http://www.pulseruggedized.com>

Performance warranty of products offered on this data sheet is limited to the parameters specified. Data is subject to change without notice. Other brand and product names mentioned herein may be trademarks or registered trademarks of their respective owners. © Copyright, 2018. PulseR, LLC. All rights reserved.