

10GBASE-T TRANSFORMER MODULES

Ruggedized

PulseR
Ruggedized Solutions

10GB-6009

- R** Compliant with IEEE802.3 Standards
- R** Additional channel for CM noise detection
- R** Operating Temperature: -40°C to +125°C
- R** Storage Temperature: -55°C to +150°C
- R** Moisture Sensitive Level: 3
- R** Terminal Finish: Sn/Pb

Electrical Specification @ 25°C

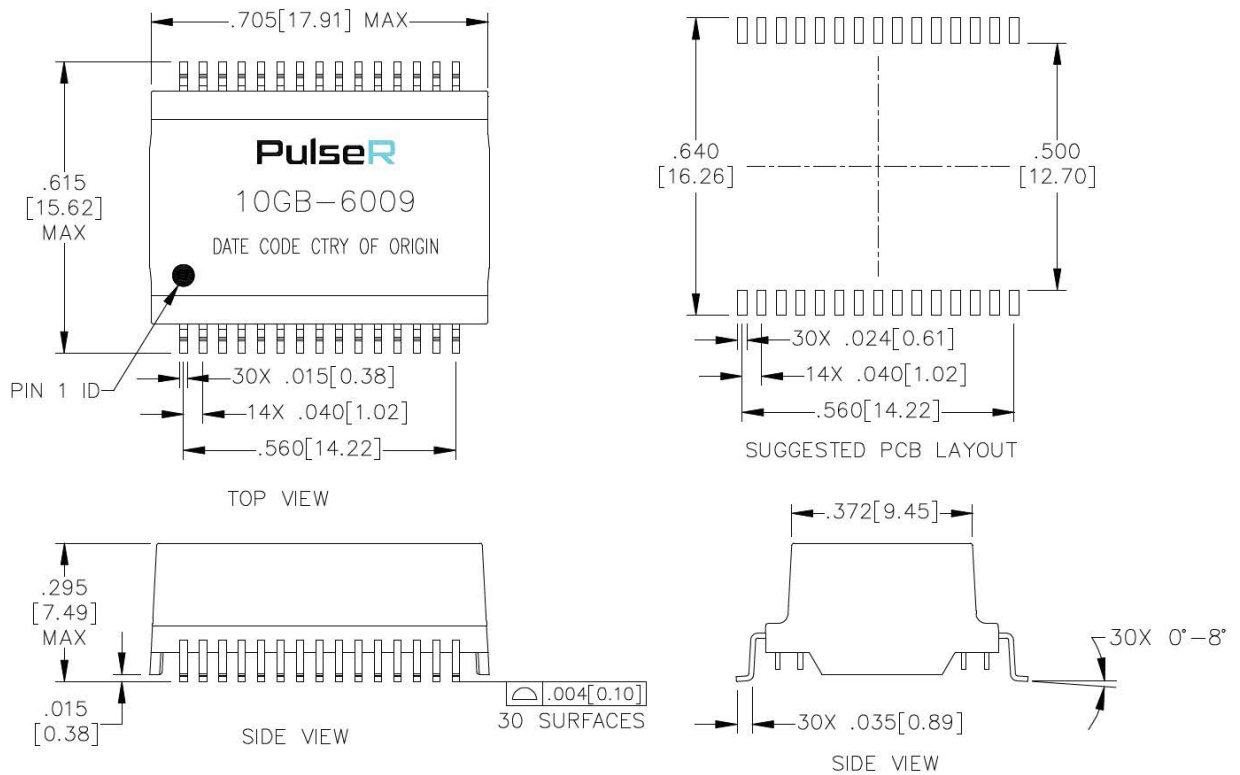
Part Number	Insertion Loss (dB MIN)		Return Loss (dB MAX)						Crosstalk (dB MAX)			Differential to Common Mode Rejection (dB MAX)		
	100kHz	500kHz	1 MHz	10 MHz	100 MHz	300 MHz	400 MHz	500 MHz	1 MHz	100 MHz	400 MHz	1MHz	250MHz	500MHz
10GB-6009	-3.0	-2.0	-22	-24	-20	-12	-8	-6	-40	-37	-30	-40	-30	-22

Notes: 1. Add suffix "NL" for RoHs compliant part: i.e. 10GB-6009 becomes 10GB-6009NL

2. Add suffix "T" for Tape and Reel packaging; i.e. 10GB-6009 becomes 10GB-6009T

Mechanical

10GB-6009



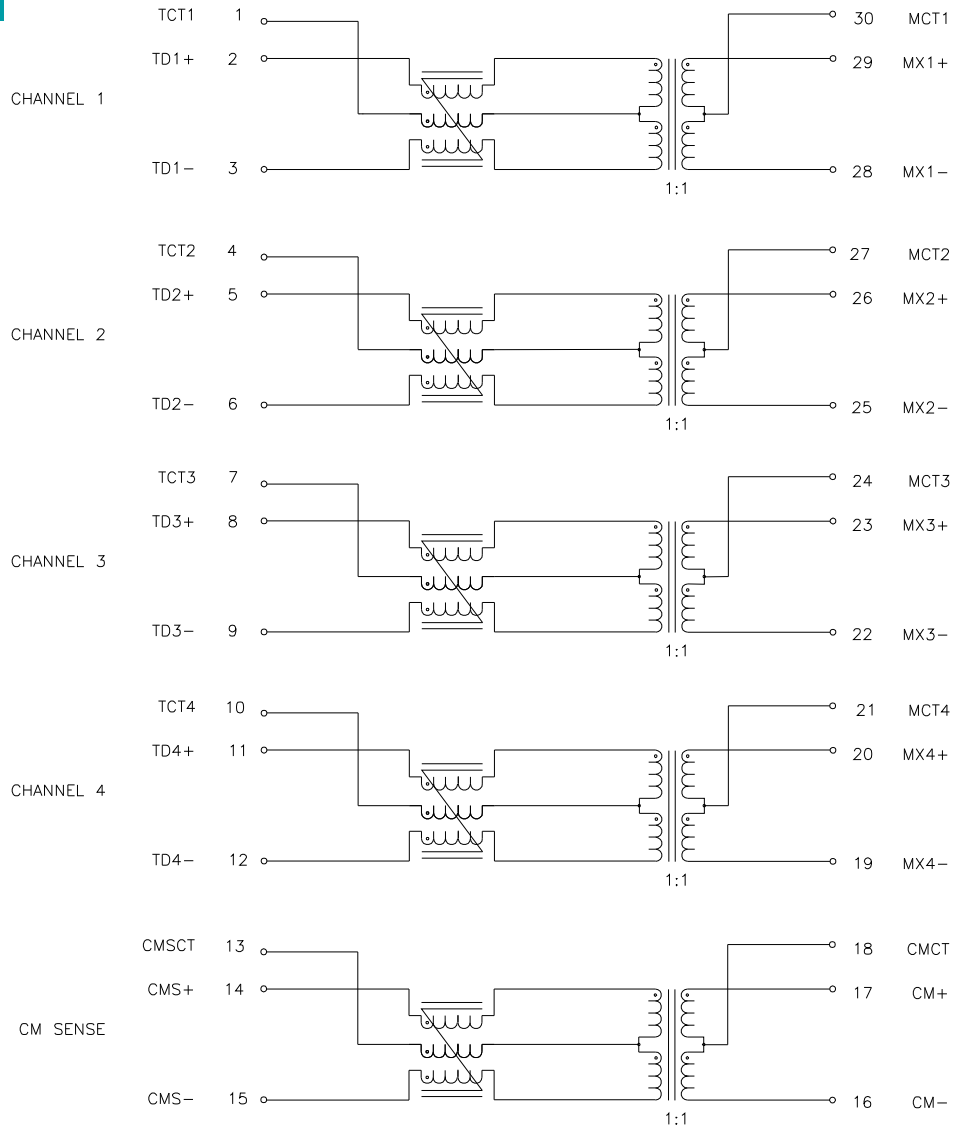
Dimensions: inches[mm]

Unless otherwise specified,

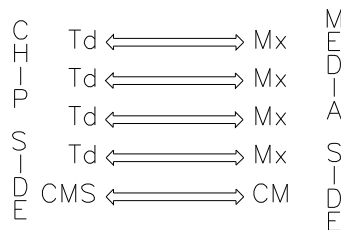
all tolerances are ± .010[0.25]

Schematic

10GB-6009

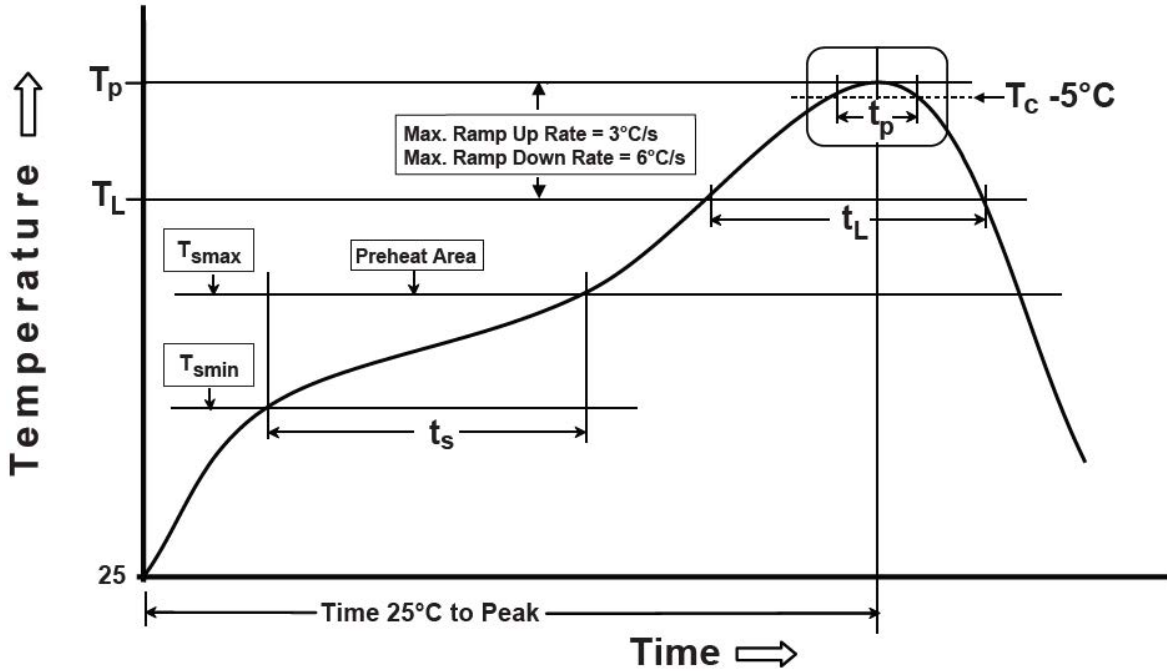


LEGEND



ALL CHANNELS ARE IN PHASE
BETWEEN INPUT AND OUTPUT

Tin/Lead Recommended Reflow Profile (Based on J-STD-020D)



T_{SMIN} (°C)	T_{SMAX} (°C)	T_L (°C)	T_P (°C MAX)	t_s (s)	t_L (s)	t_p (s MAX)	Ramp-up rate (T_L to T_P)	Ramp-down rate (T_P to T_L)	Time 25°C to peak temperature (s MAX)
100	150	183	235	60-120	60-150	20	3°C/s MAX	6°C/s MAX	360

Notes:

1. All temperatures measured on the package leads.
2. Maximum times of reflow cycle: 2.

For More Information

**Pulse North America
Headquarters**
311 Sinclair Road
Bristol, PA 19007-6812
U.S.A.

Tel: +1.215. 781. 6400
Fax: +1.215. 781. 6403

For Global Sales Representatives and Locations Visit:
<http://www.pulseruggedized.com>

Performance warranty of products offered on this data sheet is limited to the parameters specified. Data is subject to change without notice. Other brand and product names mentioned herein may be trademarks or registered trademarks of their respective owners. © Copyright, 2020. PulseR, LLC. All rights reserved.