






10/100 BASE – TX SINGLE PORT TRANSFORMER MODULE

Ruggedized

X-1697

-  10KVAC isolation between input and output
-  350uH OCL with 8mA DC
-  Operating Temperature: -40°C to +85°C
-  Storage Temperature: -55°C to +125°C Lead
-  Moisture Sensitivity Level: 3

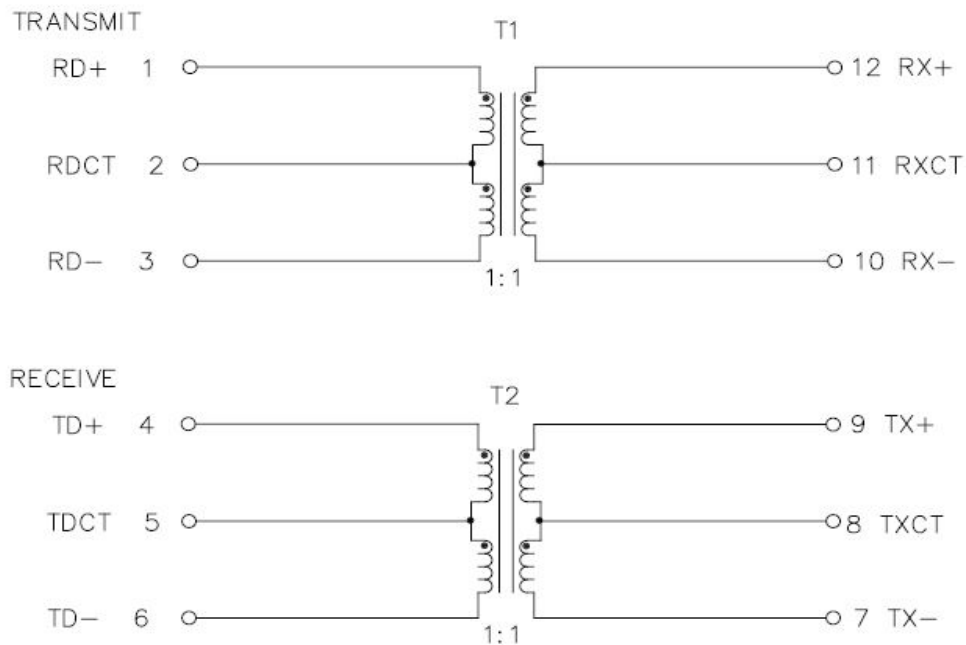
Electrical Specifications @ 25°C

Part Number ¹	Insertion Loss (dB MAX)				Return Loss (dB MIN)						Crosstalk (dB MIN)				Differential to Common Mode Rejection (dB MIN)			
	0.1-30 MHz	60 MHz	80 MHz	100 MHz	5 MHz	30 MHz	50 MHz	60 MHz	80 MHz	100 MHz	1 MHz	30 MHz	60 MHz	100 MHz	30 MHz	60 MHz	100 MHz	200 MHz
X-1697	-1.5	-3	-3.5	-4.5	-18	-8	-5.5	-4.5	-3	-2	-45	-30	-27	-25	-36	-32	-30	-25

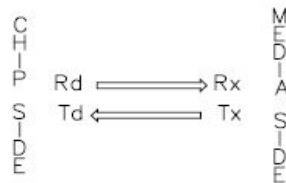
1. For RoHS compliant part, add "NL" suffix at the end of the part number e.g.: X-1697NL

Schematic

X-1697



LEGEND



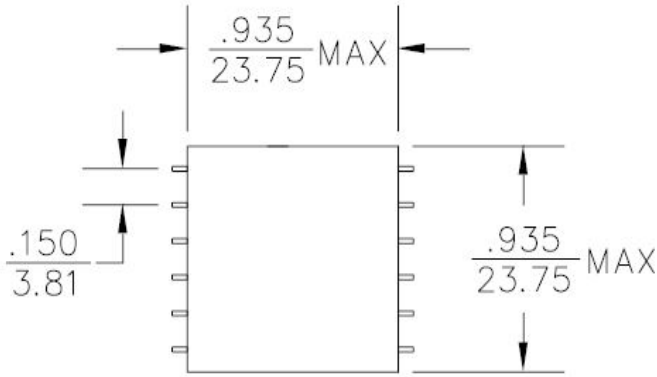
ALL CHANNELS ARE IN-PHASE BETWEEN INPUT AND OUTPUT

10/100 BASE – TX SINGLE PORT TRANSFORMER MODULE

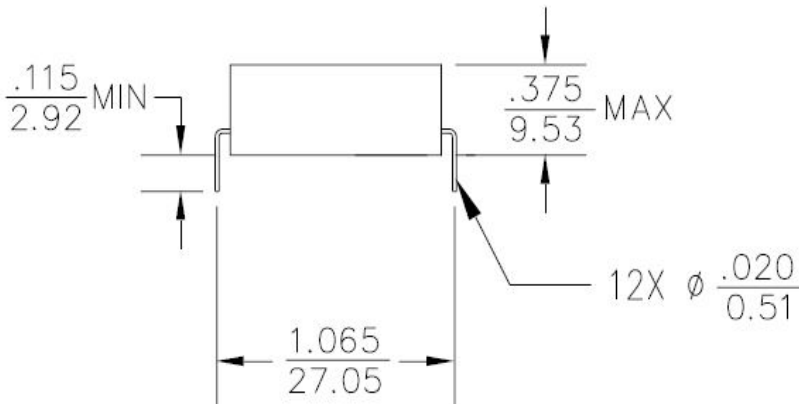
Ruggedized

Mechanicals

X-1697



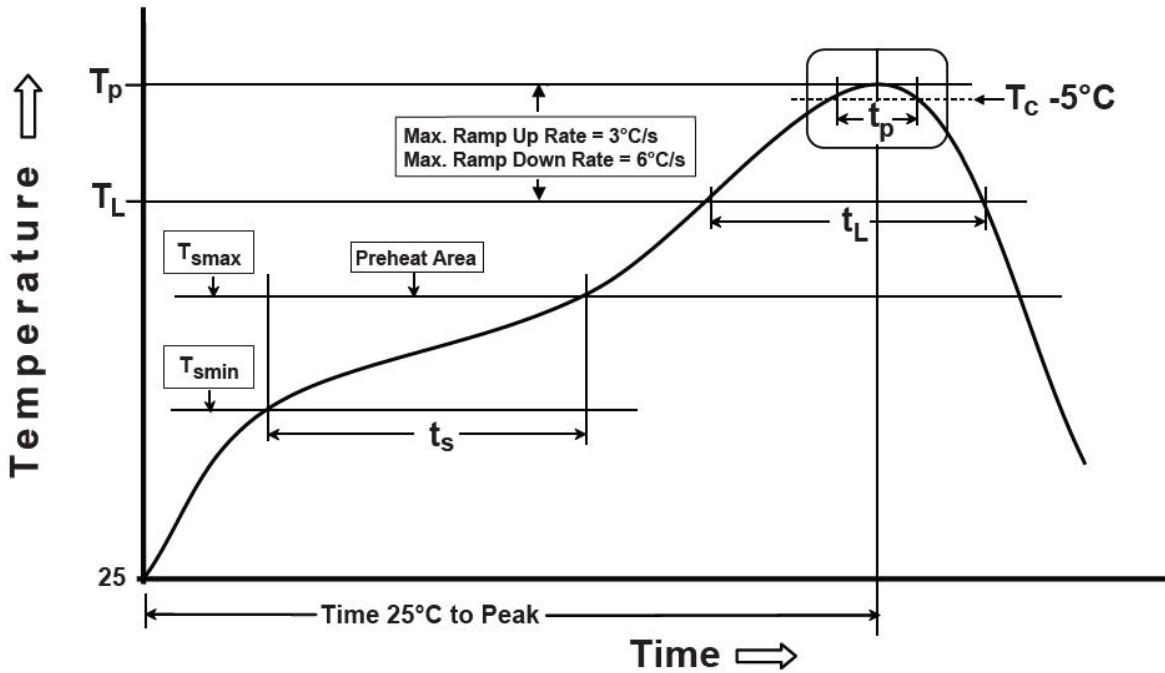
Dimensions: $\frac{\text{Inches}}{\text{mm}}$
Unless otherwise specified,
all tolerances are $\pm \frac{.010}{0.25}$



10/100 BASE – TX SINGLE PORT TRANSFORMER MODULE

Ruggedized

Tin/Lead Recommended Reflow Profile (Based on J-STD-020D)



T_{SMIN} (°C)	T_{SMAX} (°C)	T_L (°C)	T_P (°C MAX)	t_s (s)	t_L (s)	t_p (s MAX)	Ramp-up rate (T_L to T_P)	Ramp-down rate (T_P to T_L)	Time 25°C to peak temperature (s MAX)
100	150	183	235	60-120	60-150	20	3°C/s MAX	6°C/s MAX	360

Notes:

1. All temperatures measured on the package leads.
2. Maximum times of reflow cycle: 2.

For More Information

**Pulse North America
Headquarters**
311 Sinclair Road
Bristol, PA 19007-6812
U.S.A.

Tel: +1.215. 781. 6400
Fax: +1.215. 781. 6403

For Global Sales Representatives and Locations Visit:
<http://www.pulseruggedized.com>

Performance warranty of products offered on this data sheet is limited to the parameters specified. Data is subject to change without notice. Other brand and product names mentioned herein may be trademarks or registered trademarks of their respective owners. © Copyright, 2020. PulseR, LLC. All rights reserved.