

High Frequency Flyback

Ruggedized

PL1496A

- Pick and place compatible
- Isolation voltage: 1500 V_{RMS}
- Extended temperature range: -55°C to +130°C
- Storage Temperature: -55°C to +150°C
- Lead finish: Sn63/Pb37
- Tape and Reel packaging available (see 'Notes')

Electrical Specifications @ 25°C - Operating Temperature -55°C to +130°C

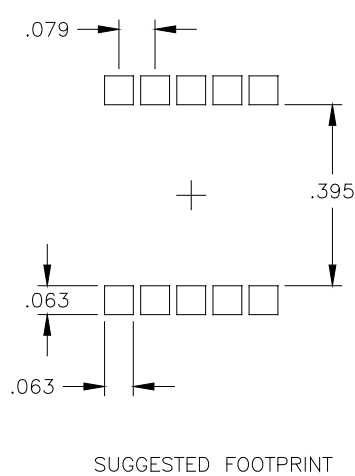
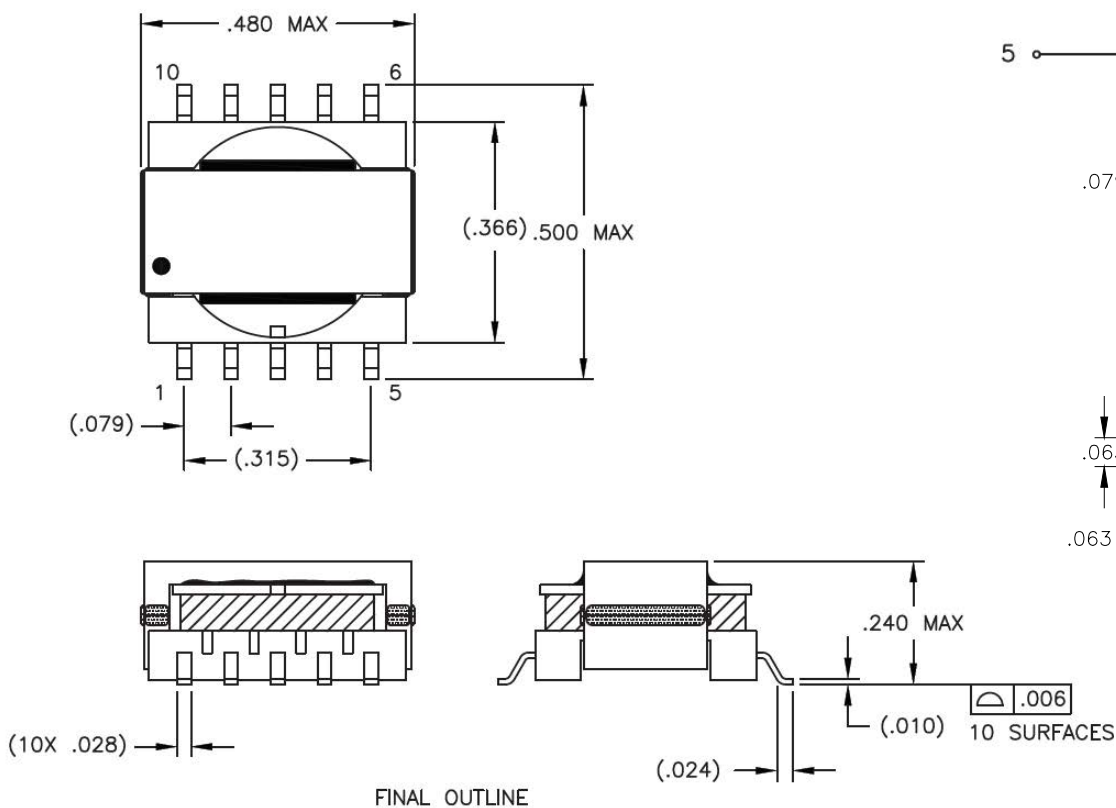
Part Number ¹	Turns Ratio (Pri:Sec ±2%)	OCL Pri (uH ±15%)	OCL Sec (mH ±15%)	DCR Pri (mΩ MAX)	DCR Sec (Ω MAX)	Primary Pins	Secondary Pins
PL1496A	22.5:1	3.85	1.95	22	6.6	1-5	6-10

Notes: 1. Optional Tape & Reel packaging can be ordered by adding a "T" suffix to part number (i.e. PL1496A becomes PL1496AT)

Mechanicals

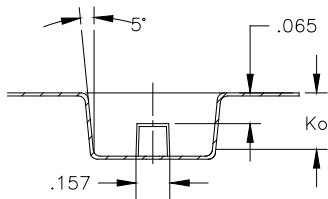
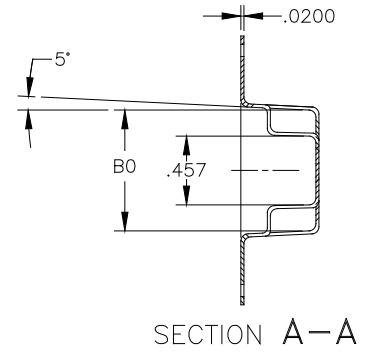
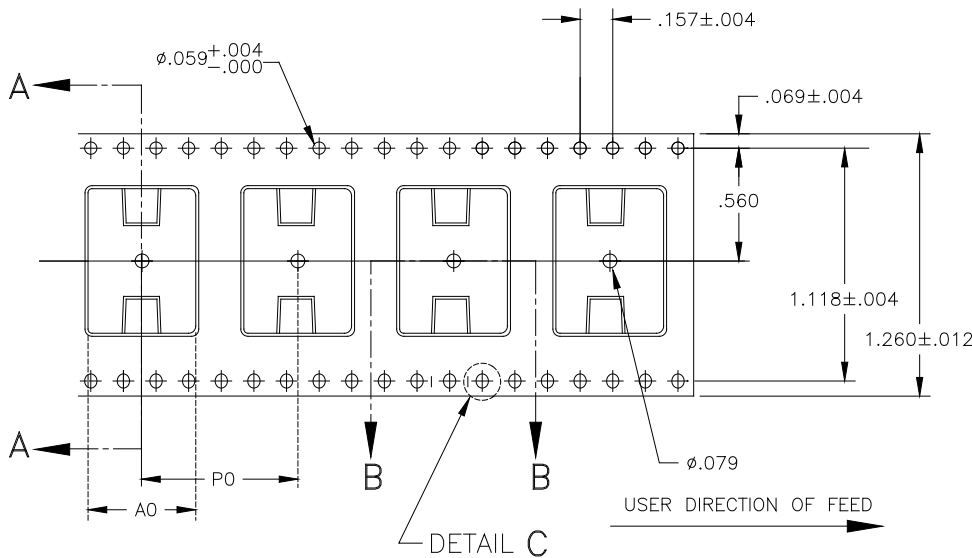
Schematic

PL1496A



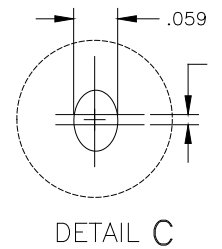
Tape & Reel Packaging Layout

PL1496A



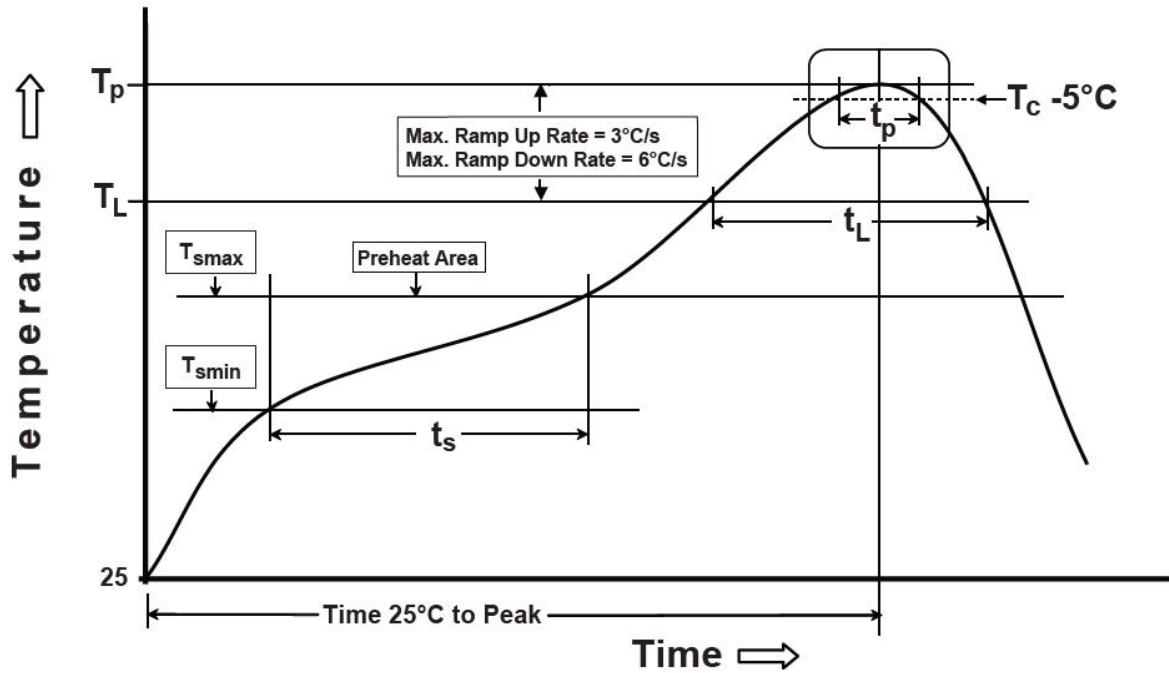
SECTION B-B

DIMENSION CHART				
Ao	Bo	Ko	Po	QTY/REEL
.490	.740	.242	.787	500
TOLERANCE	.004	.004	.004	



Weight TBD grams
Tape & Reel 500 / reel
Tube 100 / tube

Tin/Lead Recommended Reflow Profile (Based on J-STD-020D)



T_{SMIN} (°C)	T_{SMAX} (°C)	T_L (°C)	T_P (°C MAX)	t_s (s)	t_L (s)	t_p (s MAX)	Ramp-up rate (T_L to T_P)	Ramp-down rate (T_P to T_L)	Time 25°C to peak temperature (s MAX)
100	150	183	235	60-120	60-150	20	3°C/s MAX	6°C/s MAX	360

Notes:

1. All temperatures measured on the package leads.
2. Maximum times of reflow cycle: 2.

For More Information

PulseR North America
Headquarters
311 Sinclair Road,
Bristol, PA 19007-1524
U.S.A.

For Global Sales Representatives and Locations Visit:
<http://www.pulseruggedized.com>

Tel: +1.215.781.6400
Fax: +1.215.781.6403

Performance warranty of products offered on this data sheet is limited to the parameters specified. Data is subject to change without notice. Other brand and product names mentioned herein may be trademarks or registered trademarks of their respective owners. © Copyright, 2020. PulseR, LLC. All rights reserved.